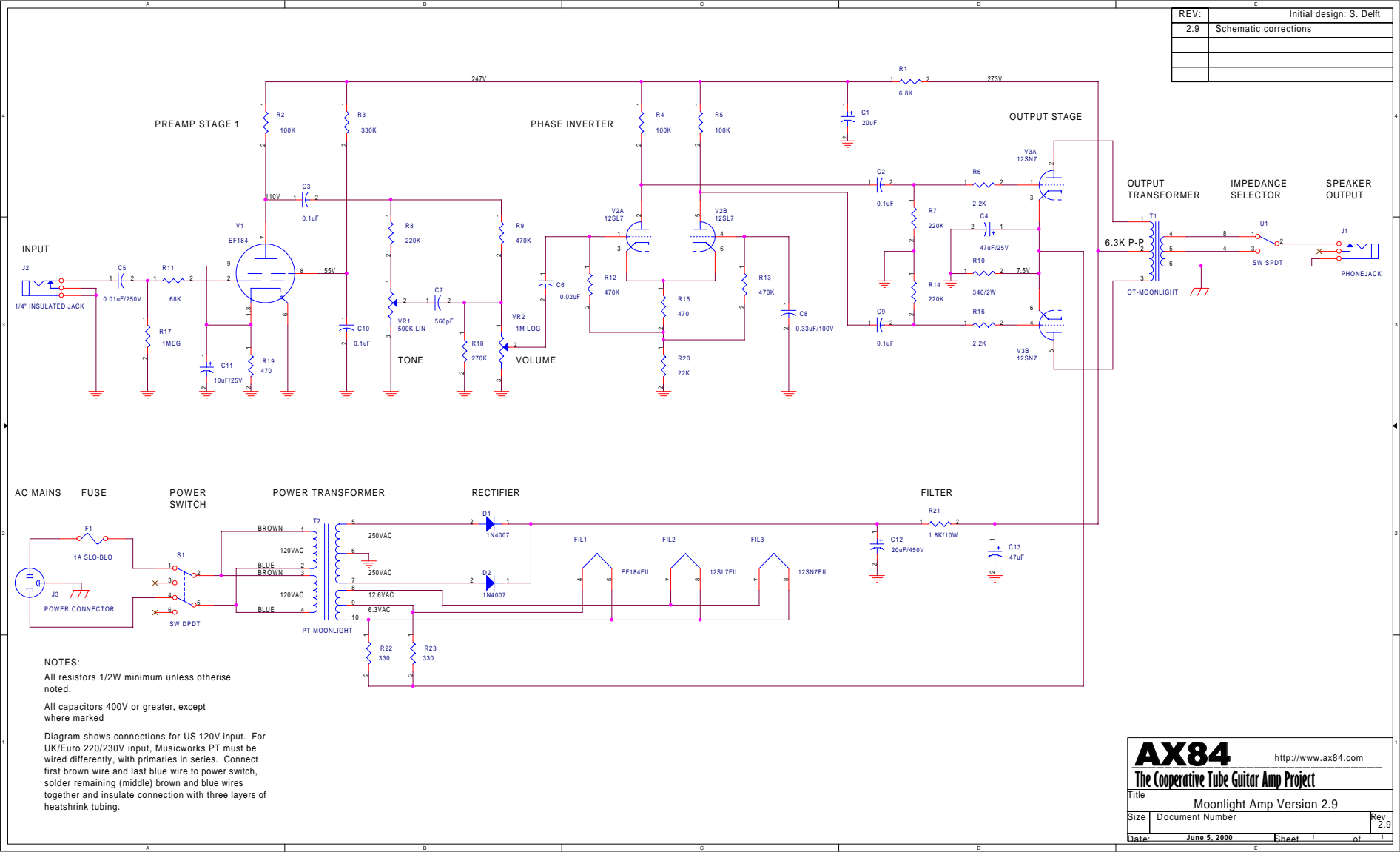


REV:	Initial design: S. Delft
2.9	Schematic corrections



NOTES:
 All resistors 1/2W minimum unless otherwise noted.
 All capacitors 400V or greater, except where marked
 Diagram shows connections for US 120V input. For UK/Euro 220/230V input, Musicworks PT must be wired differently, with primaries in series. Connect first brown wire and last blue wire to power switch, solder remaining (middle) brown and blue wires together and insulate connection with three layers of heatshrink tubing.

AX84 <http://www.ax84.com>
The Cooperative Tube Guitar Amp Project
 Title: Moonlight Amp Version 2.9
 Size: Document Number _____ Rev: 2.9
 Date: June 5, 2000 Sheet 1 of 1