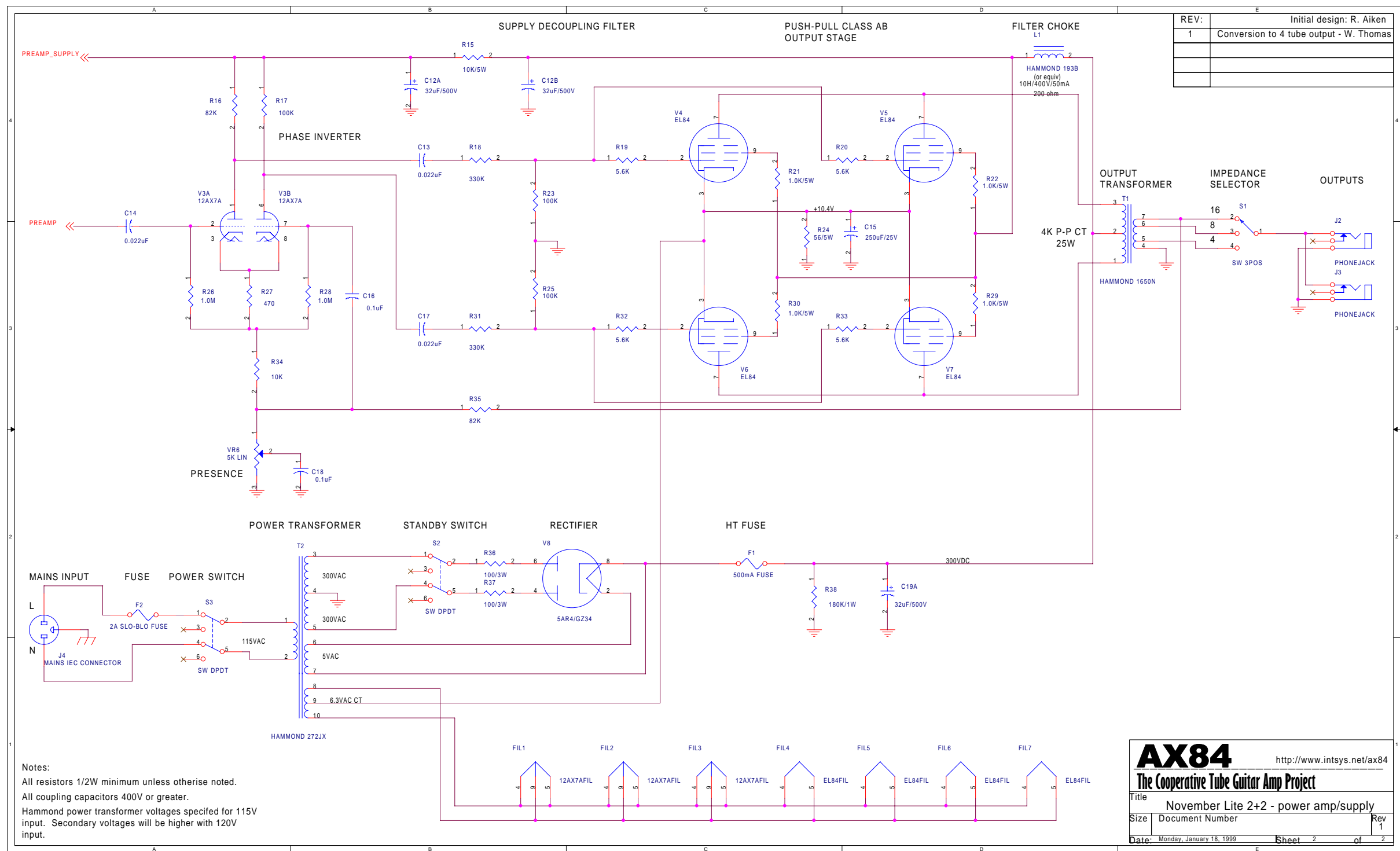


REV:	Initial design: R. Aiken
1	Conversion to 4 tube output - W. Thomas



Notes:
 All resistors 1/2W minimum unless otherwise noted.
 All coupling capacitors 400V or greater.
 Hammond power transformer voltages specified for 115V input. Secondary voltages will be higher with 120V input.

AX84 <http://www.intsys.net/ax84>
The Cooperative Tube Guitar Amp Project
 Title: November Lite 2+2 - power amp/supply
 Size: Document Number
 Date: Monday, January 18, 1999 Sheet 2 of 2
 Rev 1