

Notes:

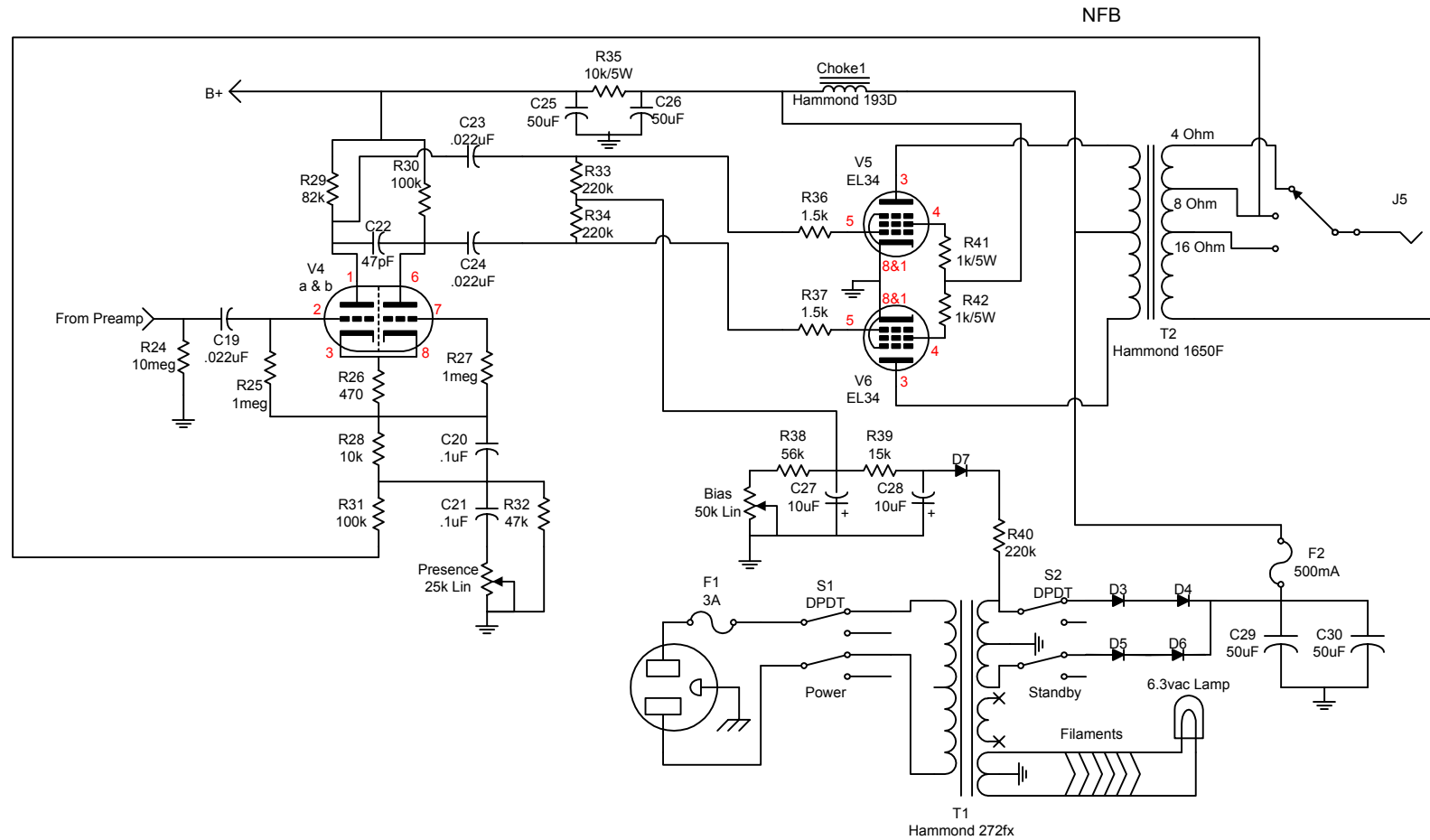
Using this method of channel switching is not necessarily the best method, but it does work rather well. At the same time providing a completely separate preamp rather than sharing components.

In the clean channel tone stack you may substitute the 15k resistor for a 25k linear potentiometer to add midrange control for that channel.

LED lamps that are used are the type that include a current limiting resistor. If you use a different LED type then take this into account.

If you find that the clean channel has too much gain, you may remove C1 and C5 or substitute the values to better suit you.

OpenValve / AX84	
Renegade Channel Switching Amplifier Preamp	
Drawn By	Anthony Noel
Date	2/12/2001
Version	1.0



Notes:

DC was dropped from the Preamp filaments as was originally planned and AC was applied instead.

Power Transformer: Hammond 272fx or equivalent.

Output Transformer: Hammond 1650f or equivalent.

OpenValve / AX84	
Renegade Channel Switching Amplifier Power Amp	
Drawn By	Anthony Noel
Date	2/12/2001
Version	1.0

Renegade Bill of Materials		
QTY	REFERENCE	VALUE
7	C8,C11,C16,C17,C19,C23,C24	.022uF
2	C4,C6	.047uF
3	C3,C20,C21	.1uF
2	C27,C28	10uF
2	C10,C14	1uF
1	C7	.68uF
1	c2	250pF
2	C1,C5	25uF
2	C9,C15	470pF
1	C22	47pF
6	C12,C13,C25,C26,C29,C30	50uF
1	C31	4700uF
4	R3,R8,R36,R37	1.5k
1	R16	1.8k
9	R12,R15,R21,R4,R7,R5,R22,R30,R31	100k
1	R28	10k
2	R17,R35	10k/5W
2	R6,R39	15k
2	R41,R42	1k/5W
4	R10,R2,R25,R27	1meg
1	R23	33k
1	R11	2.7k
3	R33,R34,R40	220k
1	R38	56k
1	R29	82k
1	R20	820
1	R1	68k
1	R26	470
4	R13,R14,R18,R19	470k
1	R32	47k
2	R24,R43	10meg
2	Treble 1, Treble 2	250k Linear
2	Mid, Presence	25k Linear
1	Bias Adjust	50k Linear Trim Pot
5	Bass1,Bass2,Vol1,Vol2,Master Vol	1meg Log
1	Fuse	3A
1	Fuse	500mA
2	Relay1,Relay2	12vDC Relay DPDT
1	Choke1	Hammond 193D
4	V1,V2,V3,V4	12ax7
2	V5,V6	EL34
6	J1,J2,J3,J4,J5,J6	Phone Jack
1	Led1, Led2	12v Led w/Current Limiting Resistor
7	D1,D2,D3,D4,D5,D6,D7	1n4007
1	J7	Plug AC Male
2	S1,S2	DPDT
1	T1	Hammond 272FX
1	T2	Hammond 1650F
1	T3	120vac to 12vct

1	Lamp1	6.3vac miniature
---	-------	------------------